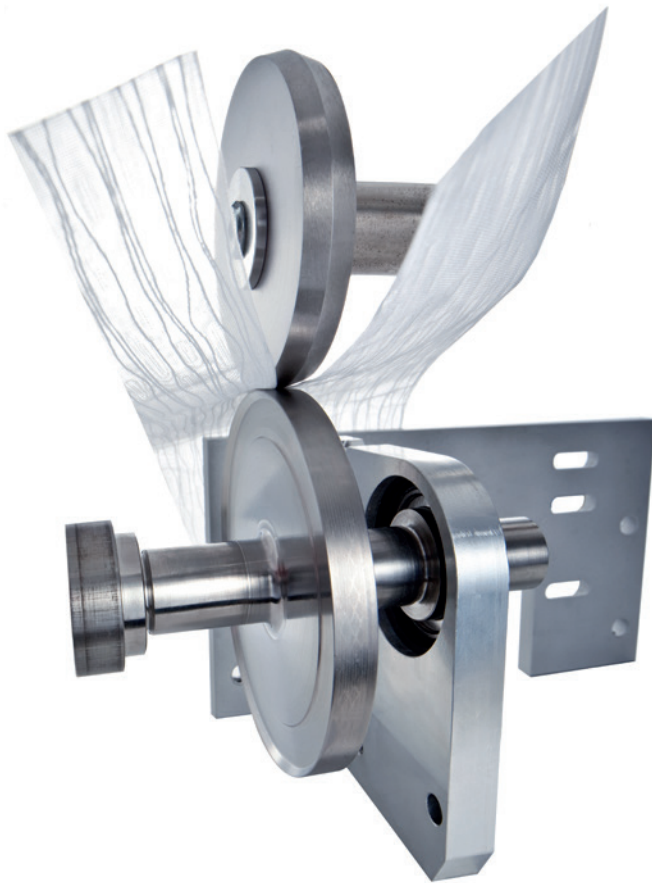


Ultrasonic roll seam technology for technical textiles



SONOTRONIC
ULTRASONICS TECHNOLOGY



Infos online

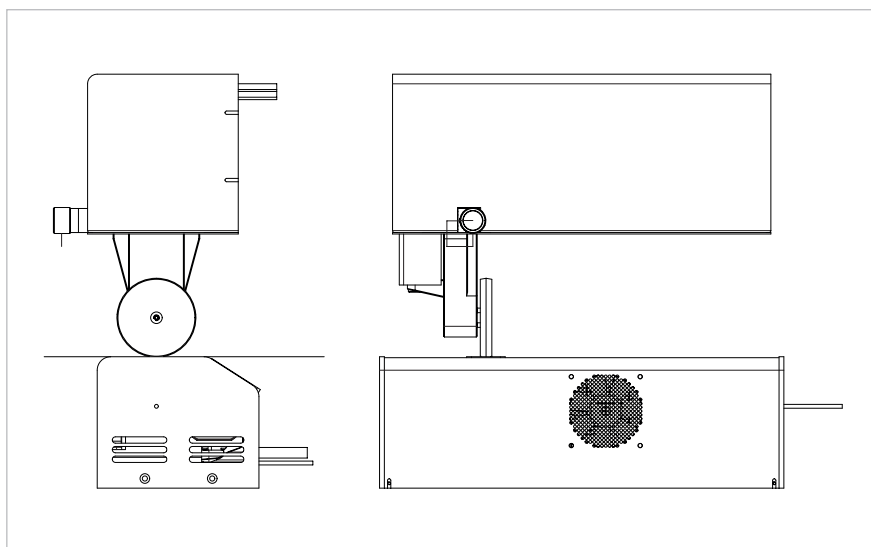
Technical data

Integration in existing or new machine concepts

Technical data	
Weld width [mm]	2 – 25
Max. welding force or application force of the anvil [N]	400
Max. speed [m/min]	80
Frequency [kHz]	35
Generator power [M]	400
Max. compressed air [bar]	6
Connected loads of drive [V] / [A]	230 / 4
Dimensions of sonotrode module W x H x D [mm]	420 x 138 x 168
Dimensions of anvil module W x H x D [mm]	393 x 294 x 192
Dimensions of control module W x H x D [mm]	600 x 600 x 350

Features and advantages

- Cutting and sealing of elastic and non-elastic textiles
- No fraying in edge cutting
- Minimum seam projection
- Sealing seam width 2 – 25 mm
- Flexible seam design
- No subsequent taping of the seams
- Rotary sonotrode of titanium (10 or 25 mm wide) or steel (7 or 10 mm wide, Cut & Seal applications)
- Sealing speed of 0.3 – 20 m/min or 10 – 80 m/min
- Control of the amplitude proportional to the sealing speed
- The application force can be adjusted by electro-pneumatic pressure control valve
- Circumferential speed of the sonotrode and anvil unit is regulated by a master-slave coupling
- Fan-cooled roll seam sonotrode and ultrasonic converter



Roll seam sonotrodes for cutting and sealing





Infos online

Locations

Global presence



Headquarters

- Karlsruhe, Germany

Branch plants

- Barcelona, Spain
- Wixom, MI, USA
- Shanghai, China

Agencies

- Bursa, Turkey
- Shanghai, China
- Johannesburg, South Africa
- Kawasaki, Japan
- London, UK
- Marietta, Georgia, USA
- Puebla, Mexico
- Sao Paulo, Brazil
- Vallentuna, Sweden

04-2024 © SONOTRONIC GmbH • Subject to change.



SONOTRONIC GmbH

Headquarters
 Becker-Goering-Str. 17-25
 76307 Karlsbad, Germany
 Phone: +49 7248 91 66-0
 Fax: +49 7248 91 66-144
 info@sonotronic.de
 www.sonotronic.de

SONOTRONIC, Inc.

Branch USA
 31132 Century Drive
 Wixom, MI 48393, USA
 Phone: +1 248 987 5970
 Fax: +1 248 987 5964
 info@sonotronic.com
 www.sonotronic.com

Linked with success.

Industry solutions

- Automotive
- Plastics
- Packaging & Food
- Technical Textiles
- Environmental

Products

- Special machines
- Standard machines
- Ultrasonic systems
- Ultrasonic components

Technologies

- Ultrasonic
- Infrared
- Hot plate
- Hot air



CLIMATE NEUTRAL COMPANY

Trough compensation of climate protection certificates. Certified by Fokus Zukunft.

